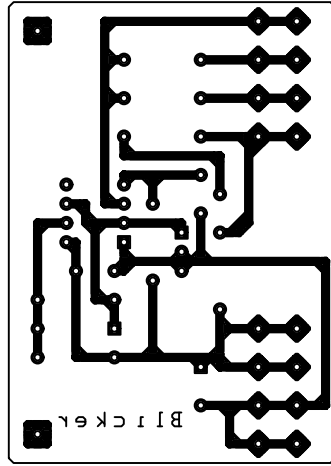
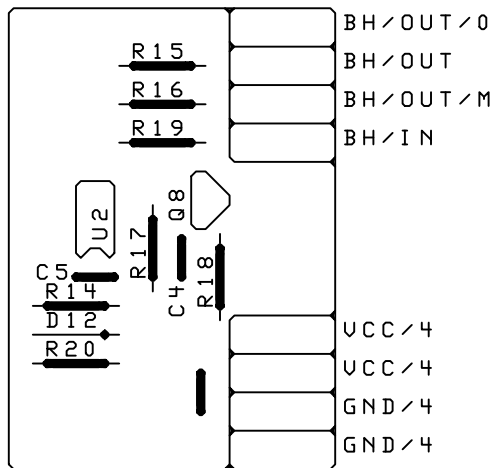


SPINAS14 - PCB



LAYOUT BOTTOM-SIDE



PLACEMENT